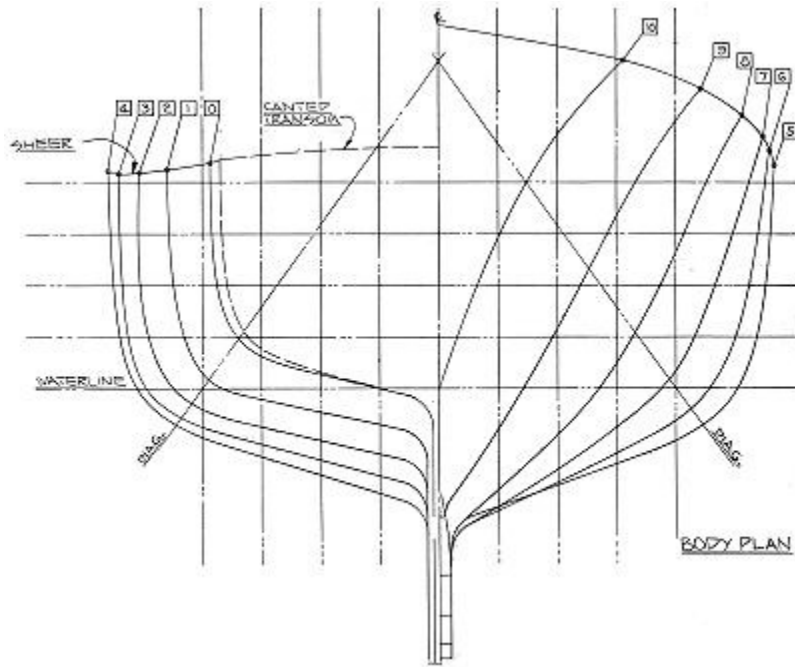
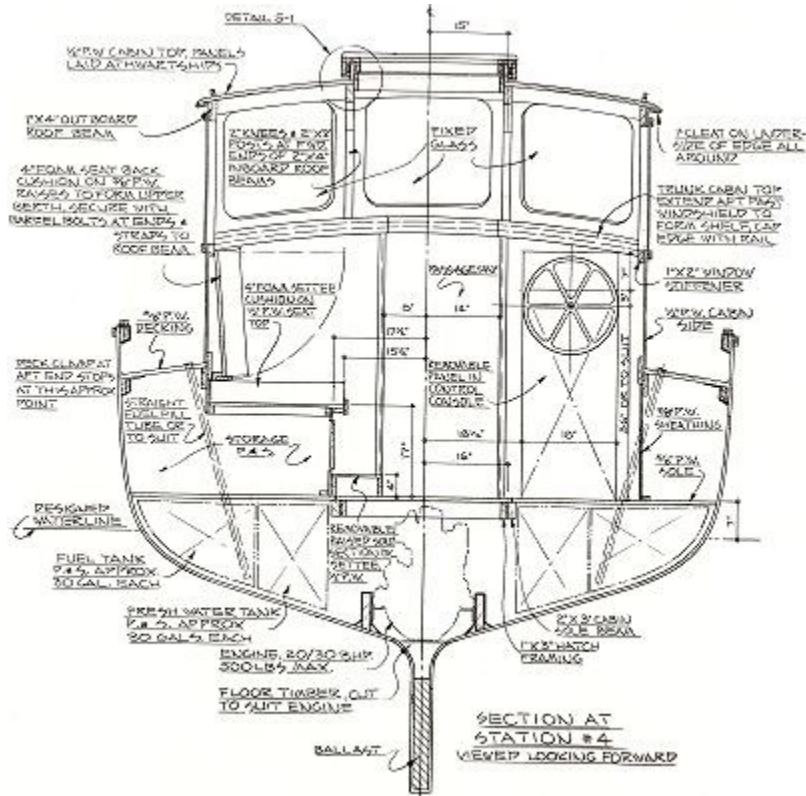


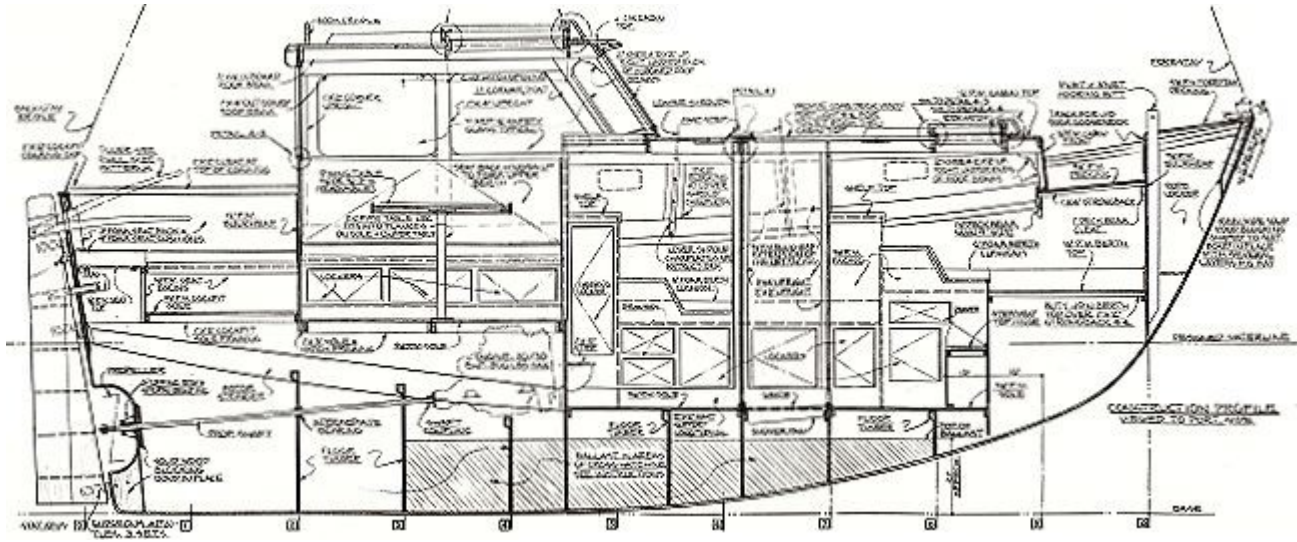
# Kodiak Notes



## Body Plan



**Section at Station #4**



**Construction Profile**