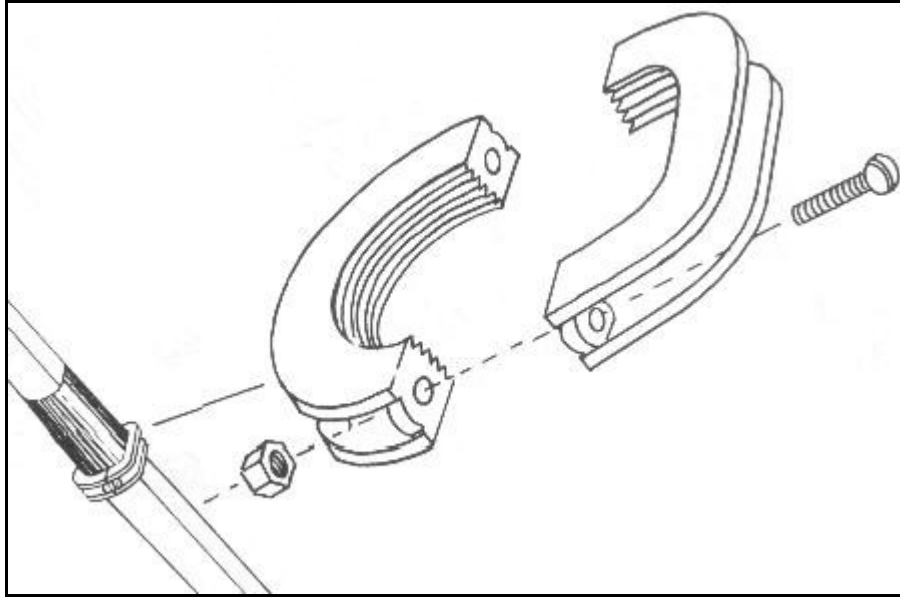


Sculling Skiff Notes

"I'm completely new to skulling so please excuse this question. Is there something that fits on the oars to keep them from coming out of the oar locks? If so, do you know where I can get these?"



These are called buttons. The ones shown are available from Glen-L.